

OPTIturn® TU 3008 / TU 3008G / TU 3008V

Leading and feed spindle lathes with longitudinal and cross feed.

TU 3008G with gearbox.

TU 3008V with brushless motor for continuously variable speed control

Facts that impress in terms of quality, performance and price

- ▶ Precision workmanship
- ▶ Ribbed grey cast steel prism bed with strong ribbing, induction tempered and precision ground
- ▶ Tempered and polished z-axis guideway
- ▶ Free moving feed gear with rounded gear wheels running in an oil bath
- ▶ Guaranteed concentricity of spindle nose better than 0.009 mm
- ▶ Concentricity at chuck better than 0.04 mm
- ▶ Quadruple tool holder
- ▶ All guides adjustable using cleats
- ▶ Right-handed/left-handed rotation switchable via control panel
- ▶ Tempered main spindle borne on adjustable precision taper roller bearings
- ▶ Tapered roller bearings in P5 quality
- ▶ Tempered spindle nose
- ▶ Large spindle bore \varnothing 38 mm
- ▶ Leading spindle for thread tapping or automatic longitudinal turning
- ▶ Leading and feed spindles borne on two sintered bearings
- ▶ Automatic longitudinal/cross feeds
- ▶ Feed and lead spindle cover
- ▶ Tailstock adjustable \pm 5 mm for turning spheres
- ▶ Tailstock spindle sleeve and handwheel with adjustable fine scaling 0.02 mm
- ▶ Fast, easy adjustment without tools thanks to clamping lever
- ▶ Handwheels on slide with adjustable fine scaling 0.04 / 0.01 mm
- ▶ Interchangeable gears in standard scope of delivery for thread tapping
- ▶ Emergency stop button

TU 3008

- ▶ V-belt

TU 3008G

- ▶ Gearbox

TU 3008V

- ▶ V-belt and brushless drive
- ▶ Smooth action, powerful, brushless DC drive with excellent control characteristics
- ▶ High-precision steel chuck for higher speeds
- ▶ Digital speed display

TU 3008V

Powerful brushless drive



- › Particularly smooth action
- › Virtually constant torque over the entire speed range
- › Extremely powerful

X-, Z- and Z0-axis



- › Prepared for mounting of measuring system on X, Z and Z0 axis



Fig.: TU 3008V with optional chassis

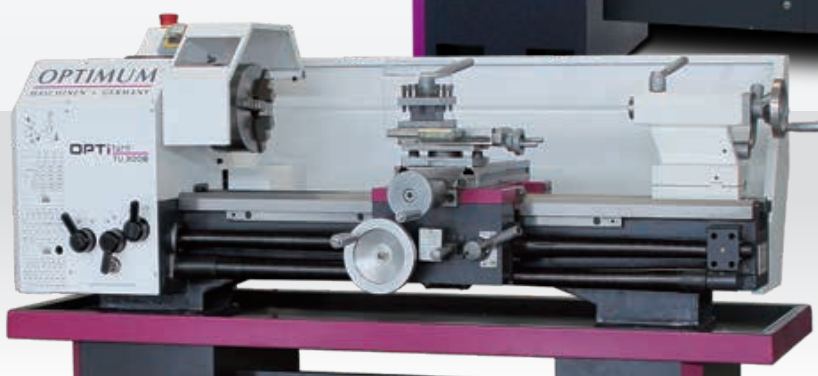


Fig.: TU 3008

Accessories
Machine chassis
 Art. no. 3440409

Vibration dampers machine base SE 1
 (6 pcs. needed)
 Art. no. 3381012

Levelling platen SE 55
 (6 pcs. needed)
 Art. no. 3352981

Technical specifications, accessories and dimensions

Model	TU 3008	TU 3008G	TU 3008V**
Article no.	3427200	3427210	3427205
Technical specifications			
Electrical connection	400 V / 3 Ph ~50 Hz		230 V / 1 Ph
Drive motor	1.1 kW	1.5 kW	
Spindle			
Spindle taper	MT 5		
Spindle seat	Camlock DIN ISO 702-2 No. 4		
Spindle bore, bar passage diameter	Ø 38 mm		
Quadruple tool holder mounting height	25 mm		
Work area			
Centre height	158 mm		
Centre width	800 mm	720 mm	800 mm
Swing Ø over machine bed	310 mm		
Swing over cross slide	190 mm		
Bed width	180 mm		
Speed range			
Spindle speed TU 3008	150 - 2 000 rpm / 6 speeds		
Spindle speed TU 3008G	165 - 2 400 rpm 6 speeds		
Spindle speed TU 3008V	30 - 3 000 rpm 5 speeds, electronically controlled		
Travel			
Top slide travel	65 mm		
Cross slide travel	150 mm		
Feeds and pitches			
Longitudinal feed within the range	0.085 - 0.832 mm/rev (9 feeds)		
Cross feed within	0.01 - 0.1 mm/rev (9 feeds)		
Pitch - metric in range	0.2 - 3.5 mm/rev (18 pitches)		
Pitch - inch in range	56 - 8 turns/inch (21 pitches)		
Tailstock			
Tailstock seat	MT 3		
Tailstock quill diameter/stroke	Ø 38 mm / 70 mm		
Dimensions			
Length x width x height	1 525 x 705 x 575 mm		
Weight	226 kg	261 kg	243 kg

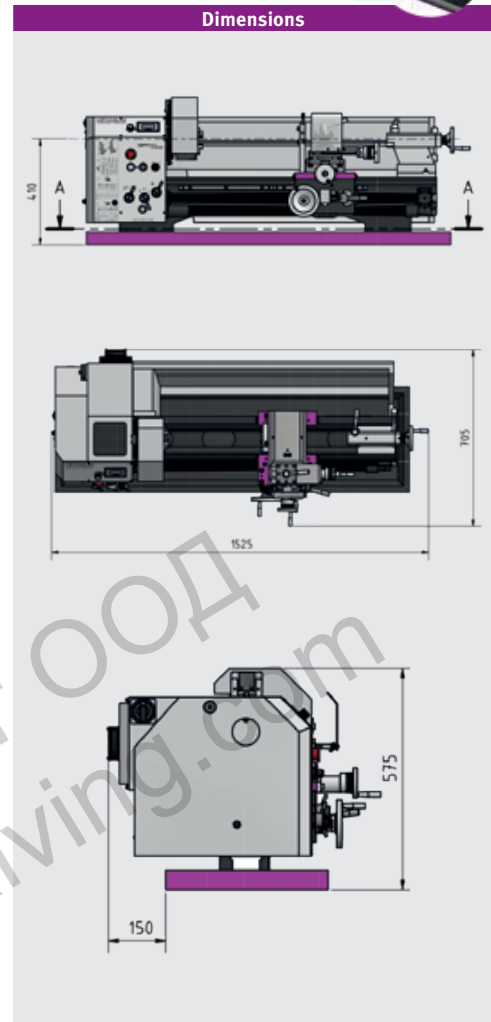
Lathe chuck	Art no.
OPTIMUM Four-jaw lathe chuck Ø 160 mm no. 4, centric clamping	3442840
BISON Four-jaw lathe chuck Ø 160 mm no. 4, centric clamping	3450355

> Information about lathe chucks from page 184

Accessories	Art no.
Follow rest passageway max. Ø 6 - 60 mm	3441460
Steady rest passageway Ø 6 - 60 mm	3441461
Quick change tool holder SWH 1-A	3384301
Factory assembly SWH 1-A	9000400
Spare tool holder 20 x 90 type D for square chisels	3384302
Spare tool holder 20 x 85 type H for round chisels	3384321
Lathe tool set 16 mm, 11-part (see page 190)	3441604
Lathe tool set 16 mm, 5-part (see page 190)	3441668
Lathe tool set 16 mm, 5-part (see page 190)	3441610
Lathe tool set 16 mm, 5-part "Made in Germany"	3441216
Collet kit 3 - 25 mm, 5C, 17-part	3441509
Collet chuck 5C - Camlock no. 4	3441554
Clamping block set 16-05	3440653

> More accessories for lathes from page 188

*Important information on „General notes on operating our machines“ on page 253
 **The lathe (frequency converter) complies with the DIN EN 55011 standard: class C3



Scope of supply

- > Three-jaw lathe chuck Ø 160 mm, centre clamping
- > Fixed centre MT 3 and MT 5
- > Splashguard
- > Chip tray
- > Quadruplicate tool holder 25 mm
- > Replaceable gear set
- > Operating tool

Accessories	Art no.
Digital position display DRO 5 incl. 3 magnetic sensors	3383975
Magnetic strip length 1 100 mm	3383978
Assembly kit (holders for the X / Y and Z0 axis/set of screws)	3383985
Factory assembly	9000420

> Information about position on page 252

